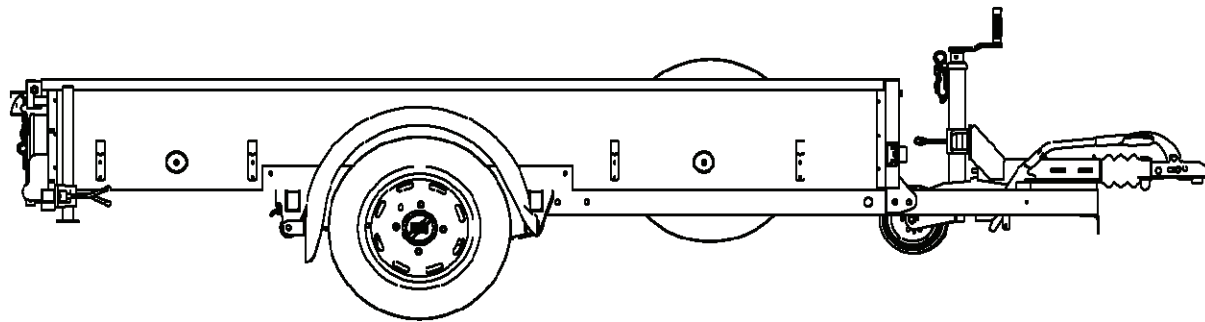


# Pb Range

	Undergear	Internal Length	Internal Width	Maximum Gross Weight	Tyres	Trailer with Tailboard	Trailer with Ramp	Trailer with Canopy (Ramp)	Trailer with Canopy (Meshgate)	Trailer with Canopy (Aluminium Door)	Trailer with Livestock Kit (Ramp)	Jockey Wheel
P6b	Braked, with Single Leaf Springs	1.98m	1.21m	1000kg	145/70R13C	Available	Available	Available	Available	Available	Available	STD
P7b	Braked, with Single Leaf Springs	2.21m	1.21m	1000kg	145/70R13C	Available	Available	Available	Available	Available	Available	STD
P8b	Braked, with Single Leaf Springs	2.51m	1.45m	1000kg	145/70R13C	Available	Available	Available	Available	Available	N/A	STD



P8b with Tailboard



	Maximum Gross Weight	Tyres	Delivery Charge to UK Mainland Distributor	Trailer with Tailboard	Trailer with Ramp	Trailer with Canopy (Ramp)†	Trailer with Canopy (Meshgate)†	Trailer with Canopy (Aluminium Door)†	Trailer with Livestock Kit (Ramp)†	Aluminium Treadplate Floor Covering	Propstands (Pair)	Lashing Points (Pair) Self Fit Supplied Loose	Weldmesh Panelled Side Extensions (Ramp Trailer)	Weldmesh Panelled Side Extensions (Tailboard Trailer)	Ladder Rack	Light Guards (Pair)	Tarpaulin (Blue)	Livestock Cross Division
<b>Braked</b>																		
P6b	1000kg	145/70R13	£75	£975	£1035*	£1,420	£1,395	£1,485	£1,515	£115	£40	£10	£205	£250	£45	£30	£55	£65
P7b	1000kg	145/70R13	£75	£1,035	£1095*	£1,480	£1,455	£1,545	£1,655	£125	£40	£10	£215	£260	£45	£30	£60	£65
P8b	1000kg	145/70R13	£75	£1,115	£1,175**	£1,560	£1,535	£1,625	-	£165	£40	£10	£260	£305	£50	£30	-	-

\* These trailers are available with a Ramp Stock Door option for an additional £60. This is a factory fit only option and must be specified at the time of order.

\*\* Extended ramp (1.3m/4') is available on P8e for additional £40.

† Trailers fitted with canopies are charged an additional £15 delivery

Optional accessories have been priced as factory fit items, ordered with the trailer.

If ordered at a later date, your distributor may need to fit the items, which could result in fitting charges being incurred.

Tarpaulins will fit Tailboard models only

Prices are ex-works and are subject to delivery charges and the VAT rate applicable at the date of supply

Dimensions and weights are given as a guide only. We reserve the right to alter specifications without notice.

© Ifor Williams Trailers Ltd 2013. All rights reserved.

